

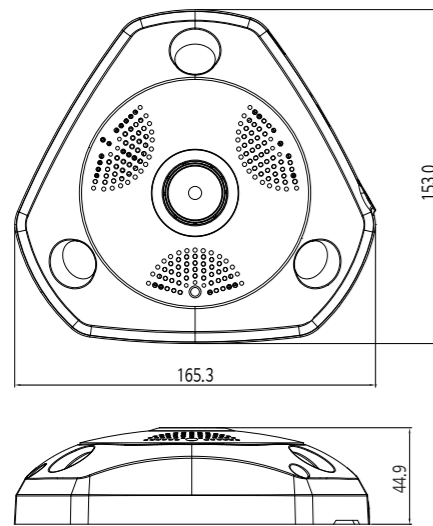
# FW7503-PVP

## 4MP Panoramic Vandal Dome



▲  
FW7503-PVP  
4MP Panoramic Vandal Dome

**FW7503-PVP** is a high quality Panoramic (Fisheye) Vandal proof Dome type IP camera which is equipped with 6.82MP(effective pixel) Progressive Scan CMOS image Sensor. With the highest sensitivity Starvis sensor, It is especially superior in low light condition. As it supports simultaneous H.265, H.264 and MJPEG Video Compression, less network bandwidth and storage space required. It also delivers high quality video image at 30fps@4M(2048x2048) in progressive mode.



▲  
FW7503-PVP  
4MP Panoramic Vandal Dome

### • Key Features

- Ambarella platform - Backdoor Issue free
- Sony Starvis (1/2.9") 6.82MP PS CMOS Sensor
- Night Color with super high sensitive sensor
- 1.1mm (F2.0) Fisheye Lens
- Quadruple Stream (H.265, H.264, M-JPEG, JPEG)
- Max. 30fps@4M(2048x2048) / Fixed Primary Stream
- DOL WDR (>120dB)
- Night Color level adjustment (B/W, 10, 20, 30, 40, 50)
- Shutter limit (Min./Max.) setting
  - Good for the better night time moving object image
  - To avoid saturation under strong back light or IR reflection
- OnVIF (Profile S) standard

### • Tech Notes

#### Region of Interest (ROI)

Some cameras offer the ability to transmit only a partial region of a sensor, which offers the option of concentrating on image areas containing the information relevant to image processing.

Reducing the size of the image transmitted by the camera reduces the image size and thus the bandwidth required for each image. In configuring an ROI the read out window is reduced to the area relevant for analysis, increasing the image frequency significantly.

**The SONY STARVIS** is back-illuminated pixel technology used in CMOS image sensors for surveillance camera applications. The excellent high sensitivity and low noise generates a wonderful full-color imaging world in any scene, any time.

# FW7503-PVP

## ► Technical Specifications

### Camera

Imaging Sensor	1/2.9" 6.82MP Sony Starvis PS CMOS Sensor
Lens	1.1mm Fisheye Fixed
Day & Night	True Day & Night (ICR)
Min. Illumination	Color : 0.06 lux B/W : 0.0006 lux / 0 lux (IR On)

### Video Stream

System	Ambarella 32bit Embedded Linux 256Mbyte SDRAM, 128Mbyte NAND Flash
Compression	H.265, H.264, M-JPEG, JPEG
Resolution	2048x2048 (Fixed Primary Stream) 1280x1280, 1024x1024, 720x720, 640x640, 320x320
Frame rate	30fps@4MP (2048x2048)
Video Stream	Quadruple Streaming, selectable : H.265/H.264/MJPEG, Frame rate, Bitrate, VBR/AVBR/CBR/ACBR, GOP

### Video Setting

Motion Detection	4 Areas
Audio Detection	Enable (sensitivity setting) / Disable
Privacy Masking	8 Areas
Video Analytics	Optional (Face Detection, Tampering, Tripwire etc.)
Smart Video	ROI
Exposure Mode	Indoor / Outdoor
AE Metering Mode	Spot / Center / Average / Venter Flip
Shutter Control	Manual (Min./Max. Setting) / Auto
Max AGC Gain	0~72
Sense Up Level	Off / 1 / 2
Back Light Compensation	Enable / Disable
Auto Exposure Weight	25% ~ 400%
WDR	DOL WDR (Enable / Disable), D-WDR 0~128
Image Adjustment	Brightness / Contrast / Hue / Saturation / Sharpness
White Balance	Auto / Manual / 9 Special Condition / Custom
3DNR	0~11
Day & Night Control	Color / Black&White / AutoNight Color (B/W, 10, 20, 30, 40, 50)
Image Direction	Vertical Flip / Horizontal Flip / Corridor Mode

### Network

Security	IP Filtering, HTTPS, Encrypted & Basic Authentication, Management White List
Supported protocols	HTTP, RTP/RTSP(Uni/Multicast), TCP/IP(v4/v6), UDP, FTP, Telnet, HTTPS, RARP, SNMP, DHCP, NTP, SMTP client, uPnP&etc
DDNS	www.ipcctvdns.com
Interface	RJ45 Ethernet 10/100Mbps

### System Intergration

Programing Interface	SDK, OnVIF Profile S
Video Analytic	Motion detection, Optional: ROI, Tripwire, Tampering, Face Detection
Triggering Event	Motion detection, triggering DI, triggering serial input, connected/ disconnected, boot finished
Action on Event	Pre-alarm & Post-alarm buffer, Upload FTP, Email notification, FCM Google notification

Connection -

### Onboard storage

Type	1 MicroSD Slot
Recording	Always, Schedule, Event, Schedule & Event
Playback	Internet Explorer, FlexWATCH NVR/ CMS/ Mobile App

### Illuminator

Type	-
Distance	-

### Video/Audio

Video Out	-
Audio Compression	-
Audio stream	-
Connection	-

### General

Case	Metal
Power Supply	SMPS, DC12V / 1A PoE : IEEE 802.3af
Power Consumption	Max. 5.2W
Operating Environment	-10°C ~ +50°C, 10% ~ 90% RH
Dimension	81 Dome, 121.2(L) x 91(H) mm
Weight	About 515g without Power Supply
Approval	KC, CE, FCC, RoHS, IP66
Accessories	-
Bundle Software	IP Installer, SMVP, Smart NVR Lite