

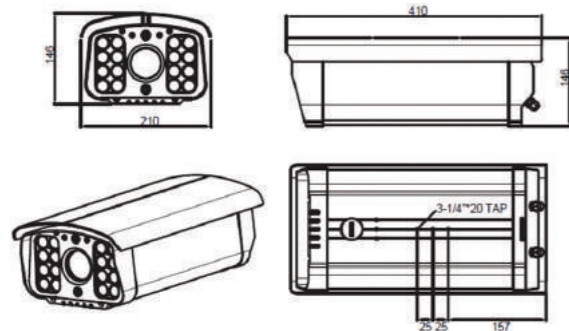
FW9305-GPM

5MP Global Shutter ANPR/LPR



▲
FW9305-GPM
5MP Global Shutter ANPR/LPR

FW9305-GPM is Outdoor IR All-in-one Motorized Camera which is equipped with 5.07MP Global Shutter CMOS image Sensor. with the highest sensitivity sensor, it is especially superior in low light condition. As it supports simultaneous H.265, H.264 and MJPEG Video Compression, less network bandwidth and storage space required. It also delivers high quality video image at 15fps @ 5MP (2432x2048) or 30fps @ 4MP (2304x1728) in progressive mode.



▲
FW9305-GPM
5MP Global Shutter ANPR/LPR

• Key Features

- Ambarella platform - Backdoor Issue free
- 2/3" 5.07MP Sony IMX264 Global Shutter CMOS sensor
- Strobe driven power LED (16EA plus external 30EA)
- Good for ANPR or LPR
- 12.0~40.0mm Motorized Auto-Focus IR correction Lens
- Quadruple Stream (H.265, H.264, M-JPEG, JPEG)
- Max. 15fps @ 5MP (2432x2048) or 30fps @ 4MP (2304x1728)
- Various Back light mode of WDR, BLC, HLC
- Night Color Level adjustment (Off, 10 steps)
- Shutter limit (Min./Max.) setting
 - Good for the better night time moving object image
 - To avoid saturation under strong back light or IR reflection
- OnVIF (Profile S) standard
- Remote Web configuration of IR ON/OFF and CDS sensitivity

• Tech Notes

Global shutter cameras for LPR

High-speed, smear-free still image capture is the hallmark of global shutter image sensors. Applications such as traffic management, metrology and robotics inspection all need to image fast-moving objects without smear or distortion. These imagers have the ability to electronically shutter itself and "stop the action."

Strobe Light

Strobes produce a bright light in a similar way to on-camera flash. They differ in that they're brighter, they produce extremely short bursts of light, and they recharge quickly. While strobe lights produce a short, yet powerful, burst of illumination, continuous lighting stays on during the entire photo session. In IP cameras, shutter speed must be synchronized with strobe timing.

FW9305-GPM

► Technical Specifications

Camera

Imaging Sensor	2/3" 5.07MP Sony IMX264 Global Shutter CMOS
Lens	12.0~40.0mm Motorized Auto-Focus
Day & Night	True Day & Night (ICR)
Min. Illumination	Color : 0.05lux (0.02 lux DSS ON), B&W : 0 lux (IR On)

Video Stream

System	Ambarella 32bit Embedded Linux 256Mbyte SDRAM, 128Mbyte NAND Flash
Compression	H.265, H.264, M-JPEG, JPEG
Resolution	2432x2048, 2304x1728, 2048x1536, 1920x1080, 1280x720, 704x480, 640x352, 320x176, 160x96
Frame rate	Max. 15fps @ 5MP Max. 30fps/25fps @ 4MP
Video Stream	Quadruple Streaming, selectable : H.265/H.264/MJPEG, Frame rate, Bitrate, VBR/AVBR/CBR/ACBR, GOP

Video Setting

Motion Detection	4 Areas
Audio Detection	Enable (sensitivity setting) / Disable
Privacy Masking	8 Areas
Video Analytics	Optional (Face Detection, Tampering, Tripwire etc.)
Smart Video	ROI
Lens Type	ELC/ALC
AF Mode	Auto / Manual
Day-Night Auto Focus	OFF / ON
Brightness (Target Exposure Weight)	0~20
Shutter	Auto / Manual / Flicker
Auto Shutter Speed Min./Max. Setting	1/30~30,000 Shutter Auto, Lens ELC Deblur Mode
Max. AGC gain	0~10
Sense Up Level	OFF / x2 / x4 / x8 / x16 / x32
Strobe Timig Adjustment	-250~250
Back Light Mode	OFF / HLC / BLC / WDR
WDR Weight	Low / Middle / High
Image Adjustment	Sharpness, Gamma
White Balance	Auto / Preset / Manual
DNR	Off / Low / Middle / High
Day & Night Control	Auto / Color / B&W / External
Night Color Mode	Off / 1~10 10steps
Image Direction	Mirror(On/Off), Flip(On/Off)
Advanced Image Adjustment	Defog, D-Zoom, D-WDR, Shading, EIS(DIS)

Illuminator

Type	Strobe Driven Power LED 16EA (External 15 x 2 = 30EA)
------	--

Network

Security	IP Filtering, HTTPS, Encrypted & Basic Authentication, Management White List
Supported protocols	HTTP, RTP/RTSP(Uni/Multicast), TCP/IP(v4/v6), UDP, FTP, Telnet, HTTPS, RARP, SNMP, DHCP, NTP, SMTP client, uPnP&etc
DDNS	www.ipcctv dns.com
Interface	RJ45 Ehternet 10/100Mbps

System Intergration

Programing Interface	SDK, OnVIF Profile S
Video Analytic	Motion detection, Optional: ROI, Tripwire, Tampering, Face Detection
Triggering Event	Motion detection, triggering DI, triggering serial input, connected/disconnected, boot finished
Action on Event	Pre-alarm & Post-alarm buffer, Upload FTP, Email notification, FCM Google notification
Connection	1 DI/ 1DO, RS485

Onboard storage

Type	1 MicroSD Slot
Recording	Always, Schedule, Event, Schedule & Event
Playback	Internet Explorer, FlexWATCH NVR/ CMS/ Mobile App

Audio

Compression	8bit G.711, 8Khz, 8KByte/sec
Audio stream	2 way
Connection	Optional, 1 Audio In / 1 Audio Out

General

Case	Metal
Power Supply	SMPS, DC15V / 5A
Power Consumption	Max. 25.5W (Main unit only) Max. 78W (with External LED)
Operating Environment	-20°C ~ +60°C, 10% ~ 90% RH
Dimension	210(W) x 410(D) x 146(H) mm
Weight	About 4500g without Power Supply
Approval	KC, CE, FCC, RoHS, IP67
Accessories	-
Bundle Software	IP Installer, SMVP, Smart NVR Lite