



DVR/NVR



CAMERA



ACCESSORY



SOFTWARE

## Network Camera

# NK1080VD-IR36-AF

SONY STARVIS | Onvif | PoE

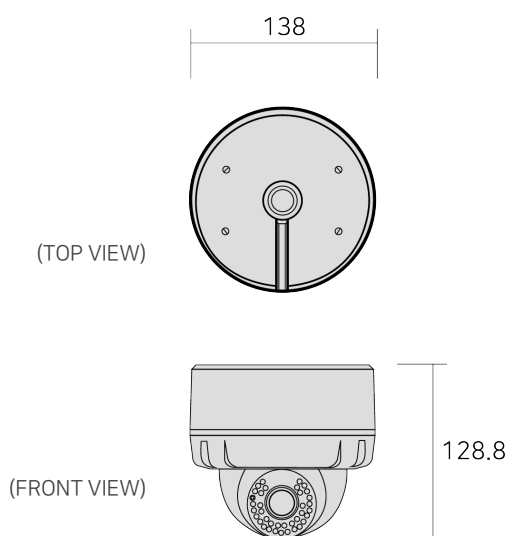


### Key Features

- 1/2.8", 2.1M Sony STARVIS Image Sensor
- Supports 2 H.264 streams including 1920x1080 30fps and 1 JPEG stream
- Max 6 streams connection simultaneously (3 users based on NVR)
- 3DNR (Noise reduction)
- Digital Image Stabilizer (DIS)
- True Day&Night (ICR)
- Support De-Fog function
- One-push Auto focus, zoom/focus control
- Supports Onvif / PoE
- Supports IPv4
- IP68 Level Protection against Dust and Water
- Internal IR LED : 36 pcs

### Dimension

(mm)



### Tech Note

#### SONY STARVIS Image Sensor

Highly sensitive SONY STARVIS CMOS Sensor provides crystal clear image in low light condition.

#### Higher performance SoC

High performance ISP functions such as 3DNR, WDR, and etc.  
Revolutionary response speed and stabilized performance.

#### 3D-DNR 3D-Digital Noise Reduction

Advanced 3D-DNR technology detects and eliminates unnecessary noise by conducting comprehensive analysis of image pixels.

#### WDR Wide Dynamic Range

Realize one clear image by combining overexposed and underexposed identical images in backlight condition.

#### Made in Korea

Different league from low priced Chinese products.  
Proven quality of Made in Korea and reasonable price.



DVR/NVR



CAMERA



ACCESSORY



SOFTWARE

## Network Camera

## NK1080VD-IR36-AF



CAMERA		
Sensor Type	1/2.8", 2.1Megapixel Sony STARVIS Sensor	
Sensor Pixels	1920(H) × 1080(V) = 2.1M pixels	
Scanning System	Progressive Scan	
Min. Illumination	Color	0.2Lux@50IRE / F1.2 / 3100K / AGC:10
	B/W	0.0005Lux@50IRE / F1.2 / 3100K / AGC:10
Lens	Filter	True Day & Night (ICR)
	Type	2-Motor / DC Auto Iris / 2.7~12mm / F1.3 / IR Corrective Mega Pixel Lens
Camera Functions	Day & Night	AUTO / COLOR / BW / EXTERN
	WDR	LOW / MIDDLE / HIGH
	BLC	OFF / ON
	HCL	LEVEL(0~20) / COLOR
	AGC	0~10
	ACE	OFF / LOW / MIDDLE / HIGH
	DNR	OFF / LOW / MIDDLE / HIGH
	DSS	OFF / AUTO / x2 / x4 / x8 / x16 / x32
	SHARPNESS	0~10
	Mirror	Horizontal / Vertical
	White Balance	AUTO / AUTOext / PRESET / MANUAL
	Electric shutter	INDOOR / OUTDOOR / INDOOR-ANTI BLUR / OUTDOOR-ANTI BLUR / MANUAL (1/30~1/30000 / 12steps)
	Privacy	ON / OFF (BOX-10 Positions)
	DE-FOG	OFF / ON (MODE / LEVEL)
IR LED	36 PCS	
VIDEO		
Compression Type	H.264 (MPEG4 AVC) Main profile, Baseline profile / MJPEG	
Resolution	1st : 1920×1080 / 1280×720 / 800×600 / 704×480 / 704×400 / 640×360 / 480×272 / 320×184 2nd : 640×360 / 480×272 / 320×184 3rd : 1920×1080	
Bitrate	128Kbps ~ 5Mbps	
Frame Rate	30fps@1080p	
Streaming	1st : H.264 Stream up to 1080p 30fps 2nd : H.264 nHD Stream / 30fps 3rd: JPEG 1080p Stream / 1fps	
NETWORK & SOFTWARE		
Network & Software	Interface	1 Fast Ethernet RJ-45 port (10/100Mbps)
	Network Type	Fixed IP / DHCP
	DDNS	Not Supported
	Port	HTTP : 80 / RTSP : 554
	Protocol	HTTP / RTSP/RTP / Onvif / TCP/IP / UDP / ARP / ICMP / DHCP
	Onvif	Support
	Simultaneous Users	Max. 3 users
	DST	Support
	NTP	Support
	IP Address Filtering	TBD
	Web Browser	IE 11
	Web Monitoring	IE : ActiveX based / Other browser : JPEG based
	Web Configuration	Multi-platform web config / Desktop (Mac / Linux / Windows)
	NVR	NVRs supporting Onvif
PC CMS Software	Control Center Standard (bundle) / Control Center Pro	
Relay Server	WinRDS	
ENVIRONMENTAL & PHYSICAL		
Power Source	DC 12V ± 10% / PoE (802.3af, 36V~57V)	
Power Consumption	IR OFF : 150mA (MAX) / IR ON : 400mA (MAX)	
Operating Temperature	-10°C ~ 45°C	
Humidity	0% RH ~ 80% RH	
Certification	KC, FCC, CE	

\* Specifications are subject to change without notice for product improvement.