



Analog AHD/TVI Camera

KT1080D-IR24-F3.6

AHD | TVI | SONY STARVIS

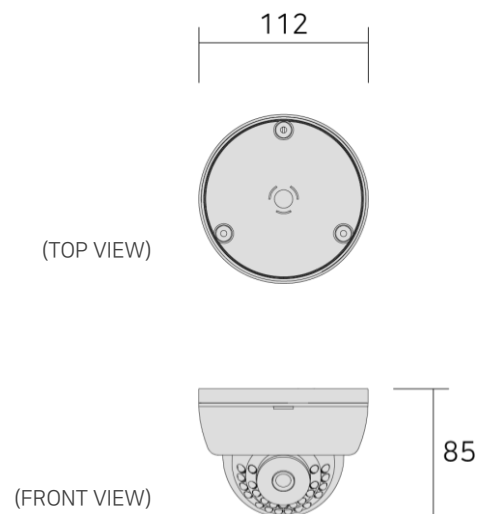


Key Features

- 2.1 Megapixel Sony STARVIS CMOS Sensor
- Video Output Format : TVI or HD-A, CVBS
- Full-HD Resolution
- 3.6mm FIXED MEGA LENS (ICR)
- 3DNR (Noise Reduction)
- Back Light Compensation (WDR / BLC / HLC)
- True Day&Night (ICR)
- Removing Fog (Defog)
- Privacy Masking (10 zones)
- Internal IR LED : 24 pcs

Dimension

(mm)



Tech Note

SONY STARVIS Image Sensor

Highly sensitive SONY STARVIS CMOS Sensor provides crystal clear image in low light condition.

3D-DNR 3D-Digital Noise Reduction

Advanced 3D-DNR technology detects and eliminates unnecessary noise by conducting comprehensive analysis of image pixels.

WDR Wide Dynamic Range

Realize one clear image by combining overexposed and underexposed identical images in backlight condition.

Made in Korea

Different league from low priced Chinese products.

Proven quality of Made in Korea and reasonable price.



Analog AHD/TVI Camera

KT1080D-IR24-F3.6



| Description | | NTSC | PAL |
|--------------------------|----------------------|--|--------------------------------|
| Sensor Type | | 2.1 Megapixel Sony STARVIS CMOS Sensor | |
| Total Pixels | | 1920 (H) × 1080 (V) = 2.1M pixels | |
| Scanning System | | Progressive Scan | |
| Lens | Filter | True Day & Night (ICR) | |
| | Type | 3.6mm Fixed Lens | |
| Video | Output | 1 BNC 1.0 Vp-p | |
| | Resolution | 1080p30 / 720p30, 720p60(crop) | 1080p25 / 720p25, 720p50(crop) |
| | Format | 1 for TVI or HD-A | |
| Video Control | AGC | LEVEL 0~10 | |
| | S/N Ratio | More than 52dB | |
| | BLC | OFF / HLC / BLC / WDR | |
| | ACE | OFF / LOW / MIDDLE / HIGH | |
| | Min. Illumination | 0.02Lux (DSS X32) | |
| | DNR | OFF / LOW / MIDDLE / HIGH | |
| | Iris Adjust. | DC / MANUAL | |
| | White Balance | AUTO / AUTOext / PRESET / MANUAL | |
| | Electric Shutter | INDOOR / OUTDOOR / INDOOR-ANTI-BLUR / OUTDOOR-ANTI-BLUR / FLICKER / MANUAL (11 Steps) | |
| | OSD Language | ENG | |
| | Day&Night | COLOR / BW / EXTERN / AUTO | |
| | Defog | OFF / ON (AUTO, MANUAL-LOW / MIDDLE / HIGH) | |
| | Privacy | OFF / ON (Programmable 10 zones) | |
| | DSS | OFF / AUTO / X2~X32 | |
| | Digital Effect | OFF / H-MIRROR / V-MIRROR | |
| | IR LED | 24 pcs | |
| Smart IR | OFF / ON | | |
| OSD Control | CoC (HiK-C Protocol) | | |
| Input Voltage | | DC 12V(±10%) | |
| Power Consumption | | IR OFF : 150mA (MAX) / IR ON : 350mA (MAX) | |
| Operation Temp./Humidity | | -10°C ~ +50°C / MAX 90% RH | |
| Storage Temp./Humidity | | -20°C ~ +60°C / MAX 90% RH | |
| Certification | | KC | |

* Specifications are subject to change without notice for product improvement.