



## B74-M252-FV

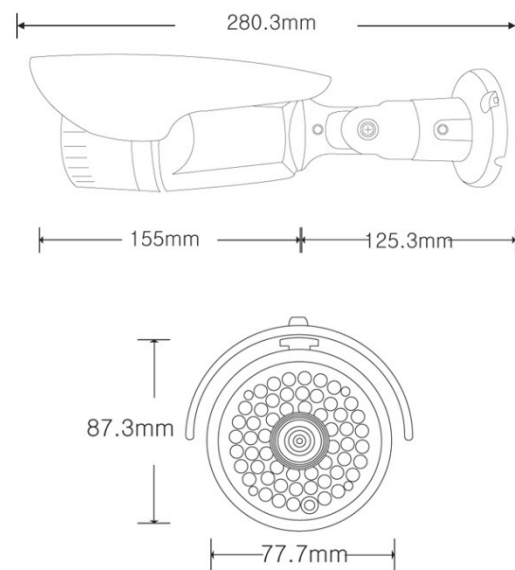
Digital Full-HD VARI-FOCAL LENS IR BULLET CAMERA

### Key Features

- 1/2.8" 2.13 MP Sony Stavis CMOS
- Color : 0.03 Lux(50IRE) / 0.01 Lux(15IRE)
- Support HD-SDI, EX-SDI, EX-SDI 2.0 video output
- 1080p30/25, 720p30/25, 720p50/60
- Megapixel Auto Iris vari-focal lens f=2.8~12mm
- Digital Noise Reduction 3DNR
- OSD Control (option)
- Backlight control WDR/BLC/HLC
- True Day&Night (ICR)
- De-Fog
- Protection rating IP66
- 42 IR LED range up to 30m
- PoC - Power over Coax

### Dimension (unit: mm)

B74-M252-FV



# HD-CCTV Camera



## Specifications

CAMERA	
Type	Bullet
Sensor	1/2.8" 2.13 MP Sony Stavis CMOS
Lens	Megapixel Auto Iris vari-focal lens f = 2.8 ~ 12mm
View Angle	90°
Illuminator	42pcs 850nm φ5mm IR LED
Video Output	HD-SDI, EX-SDI (1.0, 2.0)
Resolution	1080P25(30) / 720P25(30) / 720P50(60)
Min. Illumination	Color: 0.03 Lux(50IRE) / 0.01 Lux(15IRE) B/W : 0.015 Lux(50IRE) / 0.007 Lux(15IRE)
VIDEO SETTING	
Frequency	30Hz/ 25Hz
Shutter	AUTO,MANUAL (1/30(1/25) ~ 1/30Ksec),FLICKER
AGC	Level 0 ~ 10
ACE	OFF,LOW,MIDDLE,HIGH
Backlight	OFF/HLC/BLC/WDR
Defog	AUTO/Manual
Smart IR	OFF/ON
Sense-Up	OFF/AUTO/X2~X32
Day & Night	COLOR/BW/EXTERN/AUTO
White Balance	AUTO/AUTODEXT/PRESET/MANUAL
Noise Reduction	OFF/LOW/MIDDLE/HIGH
Image Adjusment	SHARPNESS, GAMMA
Flip	OFF/H-MIRROR/V-MIRROR
ELECTRICAL	
Voltage	DC 12V(±10%), PoC 24V
Power Consumption	IR OFF : 150mA / IR ON : 700mA (MAX)
MECHANICAL	
Dimension	77.7(W)x87.3(H)x280.3(L) mm
Weight	About 0.6kg
ENVIRONMENTAL	
Operating Temperature	-10°C ~ +50°C
Operating Humidity	MAX 90% RH
APPROVAL	
Approval	KCC, FCC, CE, RoHS, IP66

## Manufacturer Information

### Zetro Electronics Co., Ltd.

- Address: 3F, Shin-Heung-Ro 420-59, Bucheon, Kyunggi, KOREA
- Email: [zetro@zetro.com](mailto:zetro@zetro.com)
- Website: [www.zetro.com](http://www.zetro.com)