



DVR/NVR



CAMERA



ACCESSORY



SOFTWARE

Flame Detection IP Camera

NK1080D-F1

Flame Detection | SONY STARVIS | Onvif | PoE

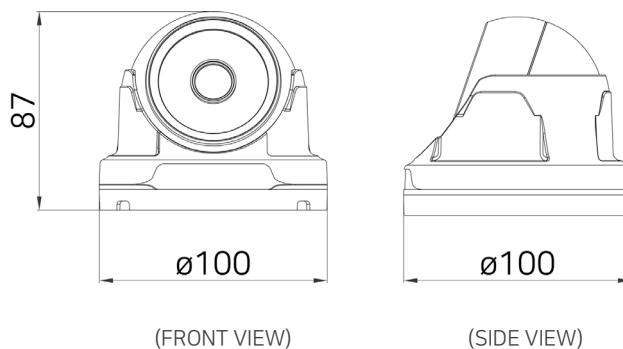


Key Features

- Full-HD flame detection camera adopting flame wave detection technology
- Minimizing false alarm by detection flame wave with customized sensor
- Sensing wide angle up to 80 ° and long distance up to 30 meters
- Dual detection system by connecting with smoke detectors
- 2.1M SONY STARVIS sensor
- 3 Multi-Stream supported including 1920x1080 30fps
- Onvif / PoE supported
- H.264, MJPEG
- IR LED : 24pcs

Dimension

(mm)



Tech Note

Customized Sensor

Minimizing false alarm by detection flame wave with customized sensor

Optimal set-up such as flame detection sensitivity and alarm duration time according to user environment

SONY STARVIS Image Sensor

Highly sensitive SONY STARVIS CMOS Sensor provides crystal clear image in low light condition.

Higher performance SoC

High performance ISP functions such as 3DNR, WDR, and etc.

Revolutionary response speed and stabilized performance.

ONVIF Profile S

Support standard protocol version , ONVIF Profile S, which makes it compatible with 3rd party's software and system.



DVR/NVR



CAMERA



ACCESSORY



SOFTWARE

Flame Detection IP Camera

NK1080D-F1



Flame Detector	
Detection Method	Detecting using IR Sensor (1 sensor)
Detection Distance / Angle	30m / 80° (Fire : 1.5m / Sensitivity : 10)
Sensitivity	1~10 steps
Detection Time	0.5, 1, 3, 5, 10 sec.
Action Time	Keep On, 20, 30, 40, 50, 60 sec
External Alarm In	-
Camera	
Image Sensor	1/2.8", 2.1Megapixel Sony STARVIS Sensor
Full Resolution	1920(H) × 1080(V) = 2.1M pixels
Scanning System	Progressive Scan
Min Illumination	Color : 0.2Lux@50IRE / F1.2 / 3100K / AGC:10 BW : 0.0005Lux@50IRE / F1.2 / 3100K / AGC:10
Lens	Filter : True Day & Night (ICR) Type : 3.6mm Fixed Mega Pixel Lens
Day & Night	AUTO / COLOR / BW / EXTERN
WDR	LOW / MIDDLE / HIGH
BLC	OFF / ON
HCL	LEVEL(0~20) / COLOR
AGC	0~10
ACE	OFF / LOW / MIDDLE / HIGH
DNR	OFF / LOW / MIDDLE / HIGH
DSS	OFF / AUTO / x2 / x4 / x8 / x16 / x32
SHARPNESS	0~10
Mirror	Horizontal / Vertical
White Balance	AUTO / AUTOext / PRESET / MANUAL
Electric shutter	INDOOR / OUTDOOR / INDOOR-ANTI BLUR / OUTDOOR-ANTI BLUR / MANUAL(1/30~1/30000, 12steps)
Privacy	ON / OFF (BOX-10 Positions)
DE-FOG	OFF / ON (MODE / LEVEL)
IR LED	24pcs
Video	
Compression Type	H.264 (MPEG4 AVC) Main profile, Baseline profile / MJPEG
Resolution	1st : 1920×1080 / 1280×720 / 800×600 / 704×480 / 704×400 / 640×360 / 480×272 / 320×184 2nd : 640×360 / 480×272 / 320×184 3rd : 1920×1080
Bitrate	128Kbps ~ 5Mbps
Frame Rate	30fps@1080p
Streaming	1st : H.264 Stream up to 1080p 30fps 2nd : H.264 nHD Stream / 30fps 3rd : JPEG 1080p Stream / 1fps
Network & Software	
Interface	1 Fast Ethernet RJ-45 port (10/100Mbps)
Network Type	Fixed IP / DHCP
DDNS	Not Supported
Port	HTTP : 80 / RTSP : 554
Protocol	HTTP / RTSP/RTP / Onvif / TCP/IP / UDP / ARP / ICMP / DHCP
Onvif	Support
Simultaneous Users	Max. 3 users
DST	Support
NTP	Support
IP Address Filtering	TBD
Web Browser (Recommended)	IE 11
Web Monitoring	IE : ActiveX based / Other browser : JPEG based
Web Configuration	Multi-platform web config / Desktop (Mac / Linux / Windows)
NVR	NVRs supporting Onvif
PC CMS Software	Control Center Standard (bundle), Control Center Pro
Relay Server	WinRDS
Electrical & Environmental	
Power Source	DC 12V ± 10% / PoE (802.3af, 36V~57V)
Power Consumption	IR OFF : 150mA(MAX) / IR ON : 350mA(MAX)
Operating Temperature	-10°C ~ 45°C
Humidity	0% RH ~ 80% RH
Certification	KC, FCC, CE

* Specifications are subject to change without notice for product improvement.