

FW9709-FVR

2MP IR Speed Dome

FW9709-FVR is a high quality IR PTZ IP camera which is equipped with 2.48MP(effective pixel) Progressive Scan CMOS image Sensor. With the highest sensitivity sensor, it is especially superior in low light condition. As it supports simultaneous H.265, H.264 and MJPEG Video Compression, less network bandwidth and storage space required. It also delivers high quality video image at 30fps@2M (1920X1080) in progressive mode.

Key Features

- Ambarella platform – Backdoor Issue free
- Panasonic 1/3" 2.48MP PS CMOS sensor
- Optical 30x zoom, Digital 32x zoom
(Option : Optical 40X 4.25~170.0mm, digital 32x)
- 4 steps zoom proportional IR LED working up to 300m
- Quadruple Stream (H.265, H.264, M-JPEG, JPEG)
- Max. 30fps @ 2MP (1920x1080)
- Built-in FAN/HEATER
- OnVIF (Profile S) standard



Tech Notes

Intelligent Varifocal IR LED control: IR PTZ

The IR beam automatically adapts becoming wider or narrower as the camera zooms in or out.

Schedule Pan Tilt Zoom

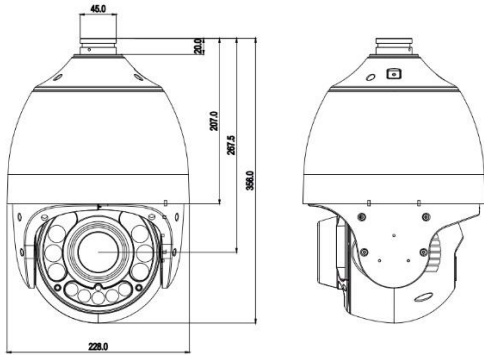
Built-in Real Time Clock enables the scheduling of Pan Tilt Zoom functions including independent exposure settings for each preset.

Text OSD

User can set 9 set of text strings to display direction of the camera or location of the camera. Each string can be extended up to 24 alphanumeric characters. When PTZ moves to the pre-set PAN angle up to 8, it automatically displays the text string set on the PAN angle like "to Las Vegas" or "-> Los Angeles"

FW9709-FVR

Technical Specifications



Camera	
Imaging Sensor	1/1.3" Panasonic 2.48MP CMOS
Lens	Optical 30x (Digital 32x) f-4.3~129.0mm (F1.6~F4.7) FOV(H) : 65.1~2.34 degrees (Option : Optical 40X 4.25~170.0mm, digital 32x)
Day & Night	True Day & Night (ICR)
Min. Illumination	Color 1/30s : 0.05 lux, B&W 1/30s : 0.005 lux Color DSS on : 0.002 lux, B&W : 0.0001 lux
Pan Tilt Zoom	Pan : 360 ° Endless Tilt : -10 °~190 ° Optical Zoom 30x, Digital Zoom 32x (Total 960x) 255 Presets, 8 Group, 8 Tour, 8 Swing. Auto flip, Auto parking, Power-up action. Text display by 9 Pan angles.
Video Stream	
System	Ambarella 32bit Embedded Linux 256Mbyte SDRAM, 128Mbyte NAND Flash
Compression	H.265, H.264, M-JPEG, JPEG
Resolution	1920x1080, 1280x720, 704x480, 640x352, 320x176, 160x96
Frame rate	30fps/25fps @ Full-HD
Video Stream	Quadruple Streaming, selectable : H.265/H.264/MJPEG, Frame rate, Bitrate, VBR/AVBR/CBR/ACBR, GOP
Video Setting	
Focus control	Auto/Semi Auto/Interval/Manual
Exposure control	Shutter: Auto / Priority / Shut. Priority / Manual (1/30s(25s) ~ 1/30,000s); Brightness; Backlight (BLC, Realtime WDR); Flickless; Iris; DSS; AGC
Day & Night	Day/ Night/ Ext, Day <-> Night Threshold
White Balance	Auto/Indoor/Outdoor/Manual
Privacy Masking	Max. 24

Image Setting	Gamma, sharpness, noise reduction (3DNR), De-Fog, DIS, ACE, HLC, privacy, mirror
Text OSD	Max. 9 lines
Network	
Security	IP Filtering, HTTPS, Encrypted & Basic Authentication, Management White List
Supported protocols	HTTP, RTP/RTSP(Uni/Multicast), TCP/IP(v4/v6), UDP, FTP, Telnet, HTTPS, RARP, SNMP, DHCP, NTP, SMTP client, uPnP&etc
DDNS	www.ipcctvdns.com
Interface	RJ45 Ethernet 10/100Mbps
System Integration	
Programing Interface	SDK, OnVIF Profile S
Video Analytic	Motion detection. Optional: ROI, Tripwire, Tampering, Face Detection
Triggering Event	Motion detection, triggering DI, triggering serial input, connected/ disconnected, boot finished
Action on Event	Pre-alarm & Post-alarm buffer. Upload FTP, Email notification, FCM Google notification
Connection	1 DI/ 1DO, RS485
Illuminator	
Type	13EA Power IR LEDs (Variable angle and distance)
Distance	Max. 300Meter
Onboard storage	
Type	1 MicroSD Slot
Recording	Always, Schedule, Event, Schedule & Event
Playback	Internet Explorer, FlexWATCH NVR/ CMS/ Mobile App
Audio	
Compression	8bit G.711, 8Khz, 8KByte/sec
Audio stream	2 way
Connection	1 Audio In / 1 Audio Out
General	
Case	Metal
Power Supply	AC to AC Adapter, Output : AC24V / 3A PoE : Optional (60W)
Power Consumption	Max. 42W
Operating Environment	-35°C ~ +60°C, 10% ~ 90% RH
Dimension	228φ x 356(H)mm
Weight	About 6,000g without Bracket & Adapter
Approval	KC, FCC, IK10, IP66
Accessories	Wall Bracket
Bundle Software	IP Installer, SMVP, Smart NVR Lite