

FW7706-FNP is a high performance 1ch IR PTZ camera which equipped with a 2.48M Progressive Scan CMOS image Sensor (Zoom: optical 30x(Optional:20x), digital 32x ) supports simultaneous H.265, H.264 and MJPEG Video Compression, less network bandwidth and storage space required. FW7706-FNP also delivers high quality video at 30 fps@1920x1080 in progressive mode. it will provide the best IP surveillance solution with a remote monitoring via the Pan / Tilt / Zoom, RS232, two-way Audio, Motion Detection

## Key Features

---

- Ambarella platform – Backdoor Issue free
- Panasonic 1/3" 2.48M PS CMOS sensor
- Optical 30x zoom, Digital 32x zoom
- Optional Optical 20X (f5.2~104mm), Digital 32X zoom
- High speed moving up to 500 °/sec at preset mode
- The shortest path with Vector Drive technology
- Dual Power of 12VDC and 24VAC
- Quadruple Streaming
- Max. 30fps @ 2M (1920 x 1080)
- Various Back light mode of WDR, BLC, HLC
- OnVIF (Profile S) standard



## Tech Notes

---

### Optimized Multiple Profile Streaming

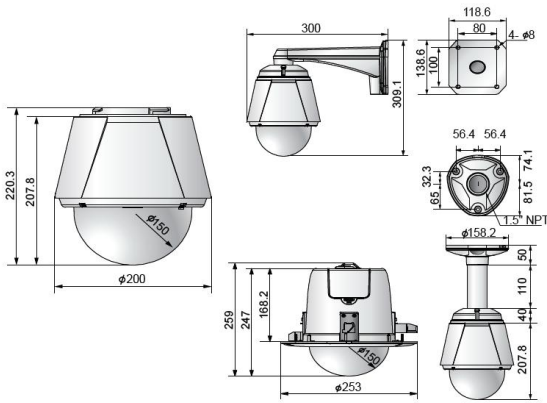
Up to 4 streams are able to be set by different setting parameters such as res. video rate and frame rate to be serviced for different purposes

### Powerful H.265 codec

H.265 codec gives more efficient file size than previous H.264 to save storage and bandwidth. Also to have interoperability with legacy systems

# FW7706-FNP

# Technical Specifications



Camera	
Imaging Sensor	1/3" Panasonic 2.48MP CMOS
Lens	Optical 30x (Digital 32x) f=4.3~129.0mm (F1.6~F.4.7) FOV(H) : 65.1°~2.34°
Day & Night	True Day & Night (ICR)
Min. Illumination	Color 1/30s : 0.05 lux, B&W 1/30s : 0.005 lux Color DSS on : 0.002 lux, B*W : 0.0001 lux
Pan Tilt Zoom	Pan : 360 ° Endless / Tilt : ~90 ° Preset 500 °/sec, JOG 0.05 ° ~ 360 °/sec (zoom proportional) Optical Zoom 30x, Digital Zoom 32x (Total 960x) 209 Presets, 4 Patterns, 10 Swing, 8 Group, 8 Schedules. Auto flip, Auto parking, Power-up action. Text display by 9 Pan angles.
Video Stream	
System	Ambarella 32bit Embedded Linux 256Mbyte SDRAM, 128Mbyte NAND Flash
Compression	H.265, H.264, M-JPEG, JPEG
Resolution	1920x1080, 1280x720, 704x480, 640x352, 320x176, 160x96
Frame rate	30fps/25fps @ Full-HD
Video Stream	Quadruple Streaming, selectable : H.265/H.264/MJPEG, Frame rate, Bitrate, VBR/AVBR/CBR/ACBR, GOP
Video Setting	
Focus control	Auto/Semi Auto/Interval/Manual
Exposure control	Shutter: Auto / Priority / Shut. Priority / Manual (1/30s(25s) ~ 1/30,000s); Brightness; Backlight (BLC, Realtime WDR); Flickless; Iris; DSS; AGC
Day & Night	Day/ Night/ Ext, Day <-> Night Threshold
White Balance	Auto/Indoor/Outdoor/Manual

Image Setting	Gamma, sharpness, noise reduction (3DNR), De-Fog, DIS, ACE, HLC, privacy, mirror
Text OSD	Max. 9 lines
Network	
Security	IP Filtering, HTTPS, Encrypted & Basic Authentication, Management White List
Supported protocols	HTTP, RTP/RTSP(Uni/Multicast), TCP/IP(v4/v6), UDP, FTP, Telnet, HTTPS, RARP, SNMP, DHCP, NTP, SMTP client, uPnP&etc
DDNS	www.ipcctvdns.com
Interface	RJ45 Ethernet 10/100Mbps
System Integration	
Programing Interface	SDK, OnVIF Profile S
Video Analytic	Motion detection. Optional: ROI, Tripwire, Tampering, Face Detection
Triggering Event	Motion detection, triggering DI, triggering serial input, connected/disconnected, boot finished
Action on Event	Pre-alarm & Post-alarm buffer. Upload FTP, Email notification, FCM Google notification
Connection	1 DI/ 1DO, RS485
Illuminator	
Type	-
Distance	-
Onboard storage	
Type	1 MicroSD Slot
Recording	Always, Schedule, Event, Schedule & Event
Playback	Internet Explorer, FlexWATCH NVR/ CMS/ Mobile App
Audio	
Compression	8bit G.711, 8Khz, 8KByte/sec
Audio stream	2 way
Connection	1 Audio In / 1 Audio Out
General	
Case	Metal
Power Supply	SMPS, DC12V / 1.8A or AC24V / 2.0A PoE : IEEE 802.3at (Optional Built-in)
Power Consumption	Max. 21.6W
Operating Environment	-30°C ~ +50°C, 10% ~ 90% RH
Dimension	148.5Ø x 200(L) x 215.5(H) mm
Weight	About 4200g without Power Supply
Approval	KC, CE, FCC, RoHS
Accessories	-
Bundle Software	IP Installer, SMVP, Smart NVR Lite