

FWR228-01N

64Ch. Rack-mountable NVR

FWR228-01N is a 19" rack type stand-alone Network Video Recorder. Supports H.265, H.264 and M-JPEG streaming from FlexWATCH cameras and others supporting ONVIF. Up to 64Ch IP cameras can be registered with 480fps@2M Full-HD live view from video output(HDMI, VGA, BNC) and 1920fps@2M Full-HD for real-time recording up to 64 IP cameras with 8 internal SATA connection up to 64TB(8x8TB) is supported. It also supports RAID 5 as an option for professional system Integration market which requires secure recording any time. FWR228-01N is the best IP solution for large scale system Integrator anytime, anywhere.

Key Features

- 64Ch. Streaming
- Real time live viewing
 - Max. 480fps @ FULL-HD(1920x1080), 480fps @ D1
- Real time recording
 - Max. 1920fps @ FULL-HD(1920x1080)
- Supports H.265 / H.264 / MJPEG codec
- Video, Audio, PTZ, DI/DO control
- 1 HDMI / 1 VGA output for local display
- 3 USB port for mouse / keyboard etc (USB 2.0 x 2 / USB 3.0 x 1)
- 64TB (Max. 8TB x 8HDD) support
- Support RAID 5 as an option
- 4K Recording and Playback



Tech Notes

Relay server: Re-streaming

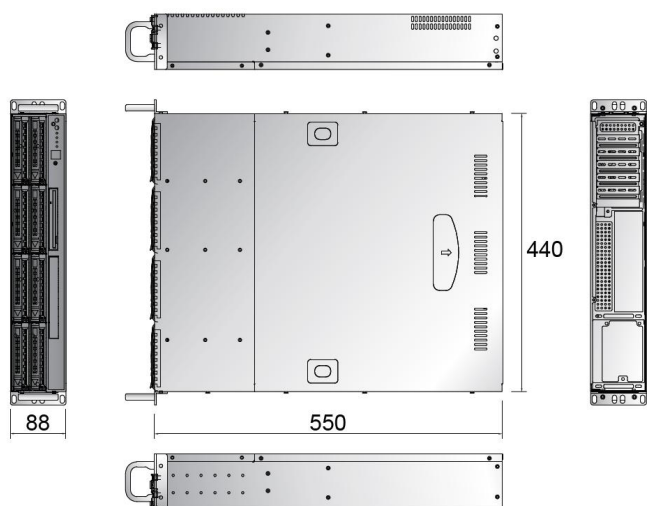
NVR works as a re-streaming server that registers FlexWATCH® IP cameras and other 3rd party ONVIF IP Cameras and re-transmits the Video streams up to 4 concurrent streams to other various client software or NVRs.

I Frame Recording

It records only "I picture" at each GOP and discards "B picture" and "P picture". "I frame recording mode" at IP surveillance system is an alternative method to support the pre-post alarm recording function of DVR system.

FWR228-01N

Technical Specifications



Player	Browsers (Microsoft Internet Explorer), CMS, VLC
Dynamic IP	DDNS (www.ipcctvdns.com)
Smart Solution	FlexWATCH Mobile (iOS, Andriod), IPCAMVISION (iOS, Android)
Security	IP Filtering, Encrypted & Basic Authentication, HTTPS, Management White List
Hardware	
System	32bit Embedded Linux, ARM Cortex A17 quad-core@maximum 1.4 GHz, SDRAM 256Mbyte, NAND Flash 128MBytes
Approvals	KC, FCC, CE, RoHS, UL
Working Condition	0°C ~ +50°C (32°F ~ 122°F), 10% ~ 80% RH
Power Supply	INPUT : 100-240VAC, 50~60Hz OUTPUT : 12VDC @ 17A
Power Consumption	Max. 300W
Dimension	440(W) x 550(D) x 88(H) mm
Weight	About 8,500g without HDD
Built-in Software Features	
Mirroring Function	
By using the mirroring function, FlexWATCH® NVR can monitor and playback other adjacent FlexWATCH® NVRs and cameras (SD) Each NVR has an ability to control all video/audio and command for PTZ control with low latency.	
Audio Broadcasting	
By Audio broadcasting function, FlexWATCH® NVR can broadcast audio with the mic. on FlexWATCH® NVR to multiple speakers at FlexWATCH® IP cameras connected in the network. It can simultaneously broadcast the audio up to 32ch of IP cameras by any GROUPs at the same time.	

NVR	
Max. Channel	64Ch. IP Cameras
Video	
Max. Streaming Rate	Max. 480fps @ Full-HD Max. 480fps @ D1
Supported Codec	H.265, H.264, MJPEG
Streaming Function	Retransmission (Proxy)
PTZ	Remote PTZ control
Recording	
Max. Recording Rate	Max. 1920fps @ Full-HD or 4K
Stream	Video, Audio, Data
HDD Support	Supports 8 SATA HDDs up to 8TB / each (Max.64TB)
RAID	RAID 5 Supports (Optional)
Condition	Always, Motion, Event, Schedule
Interface	
Video Out	1 HDMI, 1 VGA
Audio In/Out	2 way (1 in, 1 out)
Audio Compression	8bit G.711, 8Khz, 8Kbyte/sec
Alarm In/Out	16 DI, 4 DO (Direct On/Off)
Serial Port	RS-232C
Peripherals	USB2.0 x 2 + USB3.0 x 1
Network	
WAN (Ethernet)	10/100/1000-base-T Ethernet (auto sensing)
LAN (Ethernet)	10/100/1000-base-T Ethernet (auto sensing)
Protocol	HTTP, TCP/IP, UDP, FTP, Telnet, RARP, DHCP, NTP, SMTP client, uPNP And etc.
Viewer	Browsers (Microsoft Internet Explorer), CMS, VLC