

FW7940-FEM is a high quality Bullet type IP camera which is equipped with 4MP(effective pixel) Progressive Scan CMOS image Sensor. With the highest sensitivity Starvis sensor, It is especially superior in low light condition. As it supports simultaneous H.265, H.264 and MJPEG Video Compression, less network bandwidth and storage space required. It also delivers high quality video image at 30fps@5M(2592x1944) in progressive mode.

Key Features

- Backdoor Issue free - Non Hi-Silicon
- 1/2.8" 5.14M Sony CMOS sensor
- Video Analytic(optional)
- 5.0~50.0mm Motorized Auto Focus Lens
- Quadruple Streaming
- Max. 30fps @ 5M (2592x1944)
- Various Back light mode of WDR, BLC, HLC
- Defog, D-Zoom and D-WDR
- TEXT OSD(9 lines)
- Management White List
- Multi Browser Support



Tech Notes

Deep learning based AI features(optional)

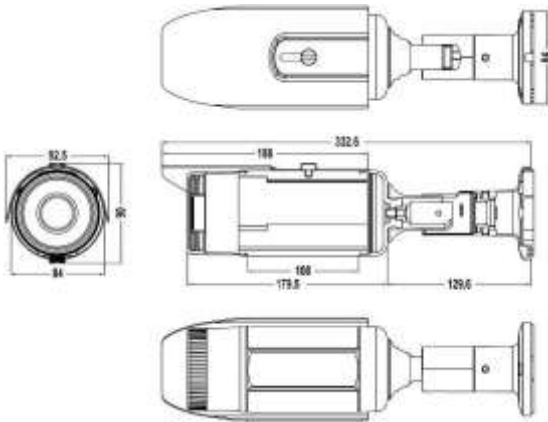
Various AI features are available as Line cross, intruder detection and also Vehicle detection, Human Detection, Face Detection, Motor cycle detection and Bicycle Detection

Multi Browsers

It supports multi-browsers like Chrome, Edge, FireFox

FW7940-FEM

Technical Specifications



Camera	
Imaging Sensor	1/2.8" 4MP Sony Starvis PS CMOS Sensor
Lens	5.0~50.0mm Motorized Auto Focus
Day & Night	True Day & Night (ICR)
Min. Illumination	Color : 0.02Lux, 0.0003Lux (DSS On), B&W : 0Lux (IR LED On)
Video Stream	
System	64bit Embedded Linux 1GB SDRAM, 32MB NOR Flash
Compression	H.265, H.264, M-JPEG, JPEG still image
Resolution	2592x1944, 2304x1728, 1920x1080, 1280x1024, 1280x720, 720x480, 704x480, 640x480, 640x352, 320x240
Max. Frame rate	30fps, 25fps
Bit rate control	CVBR, CBR, VBR
Video Stream	Quadruple Streaming
Video Setting	
Motion Detection	4 Areas
Audio Detection	Enable (Mic. Volume setting) / Disable
Privacy Masking	8 Areas
Smart Video	ROI (Region of Interest) 8 areas
Shutter	Auto / Manual / Flicker
ELC/ALC	ELC (Normal/Deblur) ALC (Indoor/Outdoor/Deblur)
Electronic Shutter Speed	1/30~30,000
Sens up	OFF ~ 36X
Back Light Mode	OFF / HLC(Level:0~20) / BLC / WDR(Low/Middle/High)
Day-Night Mode	Auto / Color / B.W / External(High/Low)
Smart IR	ON/OFF
White Balance	Auto / Preset / Manual
Digital Noise Reduction	2 DNR (Level : 0~255) 3 DNR (Level : 0~255)

Image adjustment	Sharpness / Gamma / Mirror / Flip / D-Zoom(1~64)
D-WDR	Low / Middle / High
D-ZOOM	1~64
Defog	ON/OFF, Defog mode (Manual/Auto), Defog level (Low/Middle/High)
System Integration	
Video Analytic	Motion detection. Optional: ROI, Tampering, Face Detection
Triggering Event	Motion detection, triggering DI, triggering serial input, connected/ disconnected, boot finished
Action on Event	Pre-alarm & Post-alarm buffer. Upload FTP, Email notification, FCM Google notification
Alarm	1 in / 1 out (optional)
Illuminator	
Type	42 Power IR LEDs
Distance	Max. 50Meter
Onboard storage	
Type	1 MicroSD Slot
Recording	Always, Schedule, Event, Schedule & Event
Playback	FlexWATCH NVR
Video / Audio	
Video Out	1 BNC
Audio Compression	G.711 Codec
Audio stream	2 way (Optional)
Connection	1 Audio In / 1 Audio Out
General	
Case	Metal
Power Supply	SMPS, DC12V / 3A PoE : IEEE 802.3at
Power Consumption	AI OFF, IR ON : Max 7.0W AI ON, IR ON : Max 8.0W
Operating Environment	-20°C ~ +60°C, 10% ~ 90% RH
Dimension	84φ x 339.1(L) x 87(H) mm
Weight	About 820g (without Power Supply)
Approval	TBD
Accessories	-