

Network Camera

NE5100VD-SIR1-F2.8

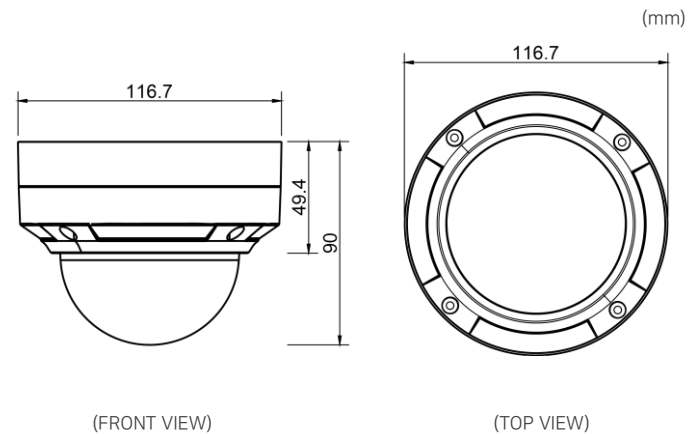
5MP | Onvif | H.265 | PoE



Key Features

- 5MP(2880×1620) H.265 coding
- Max. resolution 2880×1620
- Support three streams
- Built-in micro SD card slot, up to 256GB
- ICR auto switch, True Day&Night, ROI
- 3D DNR, WDR (120dB), HLC, BLC, smart IR
- DC12V/PoE Power supply
- 30m IR night view distance
- IP67 & IK 10 Level Protection against Dust and Water
- Intelligent analytics
- Made in Korea

Dimension



Tech Note

Intelligent Features

- Support basic video analytics to detect object such as human, motor vehicle crossing designated line or area
- Abnormal video detection features when the video is blur and the scene is changed

Auto IP / PoE

- Support Auto IP feature that automatically adds IPC to NVR. Simply connect IPC to NVR's PoE port without any complicated network set up
- Easy to install with embedded PoE switch that provides power to IPC through Ethernet cable

Enhanced Security

- Various options to enhance the security : Video encryption, Setup encryption, Account lock and IP filtering

Made in Korea

- Proven quality of Made in Korea and reasonable cost



DVR/NVR



CAMERA



ACCESSORY



SOFTWARE

Network Camera

NE5100VD-SIR1-F2.8



Video		
Compression	H.265, H.264, MJPEG	
Resolution	5MP, 4MP, 3MP, 1080P, 720P, D1, 480x240, CIF	
Bitrate	64Kbps ~ 8Mbps	
Bitrate Control	VBR / CBR	
Streaming	stream 1 : 5MP@20fps, 4MP/3MP/1080P/720P@30fps stream 2 : 720P/D1/CIF@30fps stream 3 : D1/480x240/CIF@30fp	
Camera		
Image Sensor	1/2.7" CMOS	
Max. Resolution	2880 (H) x 1620 (V)	
Electronic Shutter	1/1s ~ 1 / 100000s	
Min. Illumination	Color	0.007Lux @ (F1.6 , AGC ON)
	B/W	0 Lux with IR
Lens	Day & Night	True Day & Night
	Type	Fixed
	Focal Length	2.8mm
	Angle	H : 110.5° V : 57° D : 131°
Features	Day/Night	Auto / Color / B&W / Extern / Low Light Color
	Image Enhancement	WDR (120dB), HLC, BLC
	DNR	Support
	Mirror	left/right (Horizontal), top/bottom (Vertical)
	White balance	Auto / AutoExt / Preset / Manual
	Privacy Mask	Support
	Event	Motion detection, Tampering detection
	DE-FOG	not supported
	AI feature	Human, Vehicle, Video Exception (scene change, video blur, video cast detection) Line cross and Regional intrusion detection
	IR distance	30m
	OSD	Support

Input / Output		
Alarm	Input	not supported
	Output	not supported
Video Output		not supported
Audio	Input	1
	Output	not supported
Storage		Built-in micro SD card slot, up to 256GB
System		
Management		System log, Import/Export settings, Time setting
Upgrade		Iptool upgrade, Webpage upgrade
Maintenance		Initialize Settings, Restart, Initialize partial settings, scheduled reboot
Webpage Language		Korean, English
Network & Software		
Network & Software	Ethernet	RJ-45
	Port	Http : 80 / Https : 443 / RTSP : 554
	Protocol	UDP, IPv4, IPv6, DHCP, NTP, RTSP, RTP, RTCP, PPPoE, DDNS, SMTP, FTP, 802.1x, SNMP, UPnP, RTMP, HTTP, HTTPS, QoS
	IP Camera Protocol	Onvif
	Simultaneous Live View	Up to 10 streams with Onvif (Supports 3 NVRs)
	Web Browser	Chrome, Edge, Safari, Firefox (HTML5 support)
	PC CMS Software	Control Center, Control Center Pro
	Mobile Viewer	Support (Android, iOS)
	Relay Server	not supported
	Security	Online User, IP address filtering, illegal login lock
Environment		
Power		DC 12V ± 10%, PoE (802.3af)
Dimension (mm)		Ø 116.7 × 90
Power Consumption		< 6W
Operation Temperature		- 30°C ~ 60°C (-22°F ~ +140°F)
Operation Humidity		0% RH ~ 95% RH
Protection		IP67 & IK10
Certifications		CE, FCC
Weight (g)		610

* Specifications are subject to change without notice for product improvement.