

Network Camera

NE5100VD-SIR2-AF

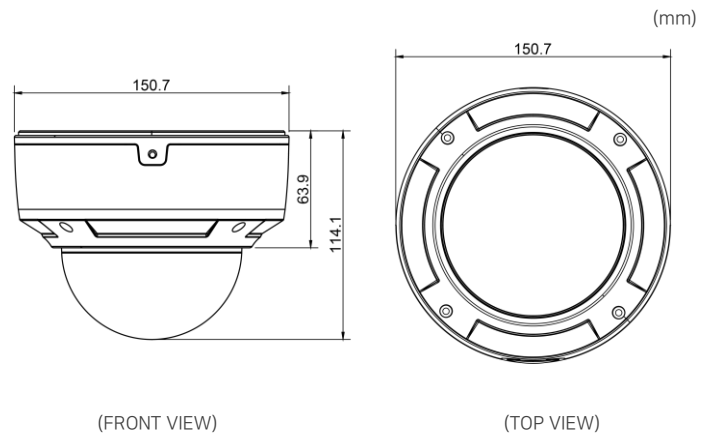
5MP | Motorized lens | Onvif | H.265 | PoE



Key Features

- 5MP(2880×1620) H.265 coding
- Max. resolution 2880×1620
- 2.8mm~12mm Motorized lens
- Support three streams
- Built-in micro SD card slot, up to 256GB
- ICR auto switch, True Day&Night, ROI
- 3D DNR, WDR (120dB), HLC, BLC, smart IR
- DC12V/PoE Power supply
- 50m IR night view distance
- IP 67 & IK10 Level Protection against Dust and Water
- Intelligent analytics
- Made in Korea

Dimension



Tech Note

Intelligent Features

- Support basic video analytics to detect object such as human, motor vehicle crossing designated line or area
- Abnormal video detection features when the video is blur and the scene is changed

Auto IP / PoE

- Support Auto IP feature that automatically adds IPC to NVR. Simply connect IPC to NVR's PoE port without any complicated network set up
- Easy to install with embedded PoE switch that provides power to IPC through Ethernet cable

Enhanced Security

- Various options to enhance the security : Video encryption, Setup encryption, Account lock and IP filtering

Made in Korea

- Proven quality of Made in Korea and reasonable cost



DVR/NVR



CAMERA



ACCESSORY



SOFTWARE

Network Camera

NE5100VD-SIR2-AF



| Video | | |
|--------------------|---|---|
| Compression | H.265, H.264, MJPEG | |
| Resolution | 5MP, 4MP, 3MP, 1080P, 720P, D1, 480x240, CIF | |
| Bitrate | 64Kbps ~ 8Mbps | |
| Bitrate Control | VBR / CBR | |
| Streaming | stream 1 : 5MP@20fps, 4MP/3MP/1080P/720P@30fps stream 2 : 720P/D1/CIF@30fps stream 3 : D1/480x240/CIF@30fp | |
| Camera | | |
| Image Sensor | 1/2.7" CMOS | |
| Max. Resolution | 2880 (H) x 1620 (V) | |
| Electronic Shutter | 1/1s ~ 1 / 100000s | |
| Min. Illumination | Color | 0.007Lux @ (F1.6 , AGC ON) |
| | B/W | 0 Lux with IR |
| Lens | Day & Night | True Day & Night |
| | Type | Motorized Vari-focal |
| | Focal Length | 2.8~12mm |
| | Angle | H : 100°~36.5° V : 52°~20.5° D : 116°~41° |
| Features | Day/Night | Auto / Color / B&W / Extern / Low Light Color |
| | Image Enhancement | WDR (120dB), HLC, BLC |
| | DNR | Support |
| | Mirror | left/right (Horizontal), top/bottom (Vertical) |
| | White balance | Auto / AutoExt / Preset / Manual |
| | Privacy Mask | Support |
| | Event | Motion detection, Tampering detection |
| | DE-FOG | not supported |
| | AI feature | Human, Vehicle, Video Exception (scene change, video blur, video cast detection) Line cross and Regional intrusion detection |
| | IR distance | 50m |
| | OSD | Support |

| Input / Output | | |
|-----------------------|------------------------|---|
| Alarm | Input | not supported |
| | Output | not supported |
| Video Output | | not supported |
| Audio | Input | 1 |
| | Output | not supported |
| Storage | | Built-in micro SD card slot, up to 256GB |
| System | | |
| Management | | System log, Import/Export settings, Time setting |
| Upgrade | | Iptool upgrade, Webpage upgrade |
| Maintenance | | Initialize Settings, Restart, Initialize partial settings, scheduled reboot |
| Webpage Language | | Korean, English |
| Network & Software | | |
| Network & Software | Ethernet | RJ-45 |
| | Port | Http : 80 / Https : 443 / RTSP : 554 |
| | Protocol | UDP, IPv4, IPv6, DHCP, NTP, RTSP, RTP, RTCP, PPPoE, DDNS, SMTP, FTP, 802.1x, SNMP, UPnP, RTMP, HTTP, HTTPS, QoS |
| | IP Camera Protocol | Onvif |
| | Simultaneous Live View | Up to 10 streams with Onvif (Supports 3 NVRs) |
| | Web Browser | Chrome, Edge, Safari, Firefox (HTML5 support) |
| | PC CMS Software | Control Center, Control Center Pro |
| | Mobile Viewer | Support (Android, iOS) |
| | Relay Server | not supported |
| | Security | Online User, IP address filtering, illegal login lock |
| Environment | | |
| Power | | DC 12V ± 10%, PoE (802.3af) |
| Dimension (mm) | | Ø 150.7 × 114.1 |
| Power Consumption | | < 8.5W |
| Operation Temperature | | - 30°C ~ 60°C (-22°F ~ +140°F) |
| Operation Humidity | | 0% RH ~ 95% RH |
| Protection | | IP67 & IK10 |
| Certifications | | CE, FCC |
| Weight (g) | | 1100 |

* Specifications are subject to change without notice for product improvement.