



Intelligent Flame Detection IP Camera

NK2100ED-F1



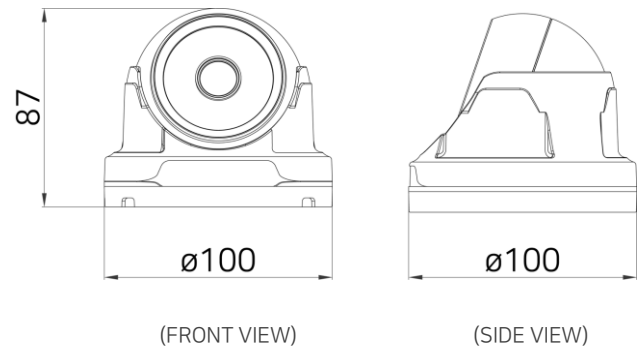
Flame Detection | SONY STARVIS | AI Event | Onvif | H.265

Key Features

- Full-HD flame detection camera adopting flame wave detection technology
- Minimizing false alarm by detecting flame wave with customized IR sensor
- Sensing wide angle up to 100 ° and long distance up to 30 meters
- 1/2.8" high sensitivity SONY STARVIS sensor
- 4 Multi-Streams
- IR Distance 30m
- AI event (Intrusion detection, Line crossing, Loitering / Fall down(*Option) / Smoke(*Option))
- Developed and Manufactured in Korea

Dimension

(mm)



Tech Note

Customized IR Sensors

Minimizing false alarm by detection flame wave with customized IR sensor

Optimal set-up such as flame detection sensitivity and alarm duration time according to user environment

Made-in-Korea AI SoC and supersensitive image sensor

Reliable AI events by applying high-performance Korean AI SoC

Minimize heating noise and improve stability with low-heating AI SoC

Supersensitive SONY STARVIS CMOS sensor delivers bright, vivid image quality even under low-light environment

AI events

AI events support with deep-learning engine (Intrusion detection, Line crossing, Loitering / Fall down(*Option) / Smoke(*Option))

Made in Korea

Competitive products having reliable quality and reasonable price purely developed and manufactured in Korea



DVR/NVR



CAMERA



ACCESSORY



SOFTWARE

Intelligent Flame Detection IP Camera

NK2100ED-F1



Flame Detector	
Detection Method	Flame IR sensor (1)
Detection Distance & Angle	30M / 100° (Size 1.5M / Sensitivity 10)
Sensitivity	1~10
Detection Time	1, 3, 5, 10 sec
Action Time	5 ~60 sec
Video	
Compression Type	H.265(HEVC) main@L5.1 H.264(AVC) baseline/main/high@L5.2, MJPEG
Resolution	Stream 1 : 1920×1080 Stream 2 : 1280×720 ~ 640×360 Stream 3 : 640×360 ~ 320×184 Stream 4 : 1280×720
Bitrate	100Kbps ~ 10Mbps
Bitrate Control	CBR
Frame rate	Max. 30fps@1080p
GoP	Max. 120
Streaming	Stream 1 : 1920×1080 / 30fps Stream 2 : 1280×720 ~ 640×360 / 30fps Stream 3 : 640×360 ~ 320×184 / 30fps Stream 4 : 1280×720 (MJPEG) / 5fps
Camera	
Sensor Type	1/2.8" 2.1Megapixel Starvis CMOS Sensor
Total Pixels	1920(H) × 1080(V) = 2.1M pixels
Scanning System	Progressive Scan
Min. Illumination	COLOR 0.02Lux@50IRE, F1.3 B&W 0.0005Lux@50IRE, F1.3, 0Lux(IR LED On)
Lens	Day & Night True Day & Night
	Type f=3.6mm Fixed Mega Pixel Lens
Field of View	H:87° / V: 47° / D: 104°
Camera function	Day/Night Auto / Color / B&W / Extern / Low Light Color, IR LED Brightness control
	Auto Focus Not Support
	Image enhancement WDR(120dB), BLC, HLC
	AGC Support
	ACE Support
	SNR More than 52dB
	DNR Support
	DSS OFF / AUTO / x2 / x4 / x8 / x16 / x32 / x64
	SHARPNESS 0~255
	Mirror Horizontal, Vertical
	White Balance Auto / AutoExt / Preset / Manual
	Shutter INDOOR, OUTDOOR, INDOOR-ANTI BLUR, OUTDOOR-ANTI BLUR, MANUAL(1/30~1/30000, 11steps)
	Privacy Mask Support (Max. 8)
	Event Flame detection, Motion detection, Tampering detection, Smart MD(*Option)
	DE-FOG Support
	AI Intrusion detection, Line crossing, Loitering / Fall down(*Option) / Smoke(*Option)
	IR Distance 30m
OSD	Size 16 ~ 250 pixel
	Color black, blue, green, red, yellow, white
	Location Top left, top center, top right, middle left, middle center, middle right, bottom left, bottom center, bottom right, direct input

Interfaces		
Alarm	Input	Not Support
	Output	Not Support
Video Output	Output	Not Support
	Resolution	Not Support
Audio	Output	1 RCA (1 Vpp)
	Compression	G.711 u-law (64Kbps, 8KHz, 16bit Sampling)
System		
User	Access rights per account, initialize password, Account Add/Delete/Modify	
Management	System log, Import/Export settings, Time setting	
Upgrade	Iptool upgrade, Webpage upgrade, Emergency upgrade	
Maintenance	Initialize Settings, Restart, Initialize partial settings, scheduled reboot (*)	
Webpage Language	Korean, English	
Network & Software		
Network & Software	Network Interface	RJ-45 (10/100BASE-T)
	Network type	Fixed IP, DHCP
	DDNS	WNS (*), WRS (*)
	Port	HTTP : 80 / Onvif : 80 / RTSP : 554
	Protocols	HTTP, RTSP/RTP, TCP/IP, UDP, ARP, ICMP, DHCP, NTP, UPnP (*)
	IP Camera Protocols	Onvif Profile S, WESP
	Simultaneous live view	Up to 2 streams with NVR(Onvif/WESP) Up to 6 streams with WEB Up to 4 streams with RTSP
	DST	Support
	Web browser	Chrome, Edge, Safari, Firefox
	Web settings	Desktop (Mac, Linux and Windows) and multi-platform web setup
	PC CMS Software	Control Center, Control Center Pro
	Mobile software	Support (Android, iOS)
	Relay server	WinRDS
	Security	TLS
User Access Log		Support
IP address filtering		Support
Session Lockdown		Support (*)
General		
Power	DC 12V ± 10%, PoE(802.3af, 36V~57V)	
Size	ø100 x 87 mm	
Power Consumption	DC : IR OFF : 3W - Standard / IR ON : 5W - Max PoE : IR OFF : 5.5W - Standard / IR ON : 7.5W - Max	
Operation Temp	-10°C ~ 45°C(+14°F ~ +113°F)	
Operation humidity	0% RH ~ 80% RH	
Certifications	KC, FCC, CE, TTA (*)	
Weight	200g	

0A2.13

(*) Marks: Scheduled to be supported)

* Specifications are subject to change without notice for product improvement.