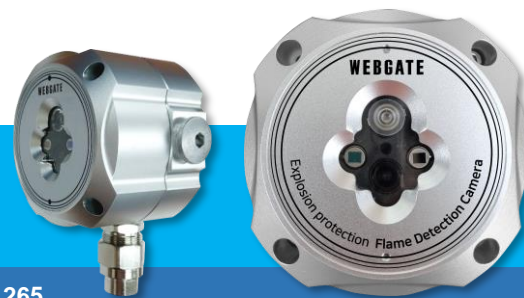


EX Proof Flame Detection IP Camera

NK2100EX-F2

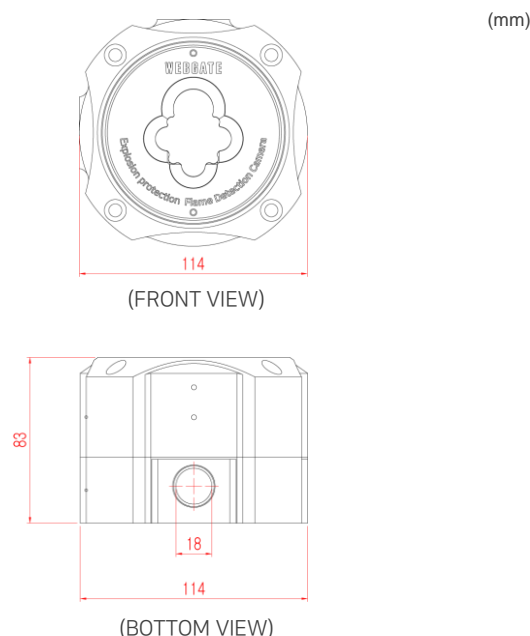
Flame Detection | Explosion-proof | SONY STARVIS | AI Event | ONVIF | H.265



Key Features

- Full-HD flame detection camera adopting flame wave detection technology
- Minimizing false alarm by detecting flame wave with two separate IR sensors
- Sensing wide angle up to 100° and long distance up to 30 meters
- 1/2.8" Sony STARVIS supersensitive sensor
- Quad stream support
- AI events (Intrusion detection, Line crossing, Loitering / Fall down(*Option) / Smoke(*Option))
- High-performance hyper LED
- Explosion proof type :
 - Pressure-proof type (Ex d IIC T6 IP67 level)
 - Dust explosion-proof type (Ex tD A21 T85°C IP67 level)
- Developed and Manufactured by Korea

Dimension



Tech Note

Dedicated Flame detection sensor & Explosion-proof housing

Minimizing false alarm by detection flame wave with two separate IR sensors
 Optimal set-up such as flame detection sensitivity and alarm duration time according to user environment
 Explosion-proof housing applicable to industrial sites with high risk of explosion

Made-in-Korea AI SoC and supersensitive image sensor

Reliable AI events by applying high-performance Korean AI SoC
 Minimize heating noise and improve stability with low-heating AI SoC
 Supersensitive SONY STARVIS CMOS sensor delivers bright, vivid image quality even under low-light environment

Strengthen integrated industrial safety solutions with AI technology

AI events support with deep-learning engine (Intrusion detection, Line crossing, Loitering / Fall down(*Option) / Smoke(*Option))
 Expand integrated solutions for industrial sites by using AI events such as detection of intrusion, laborer falls or loitering

Made in Korea

Competitive products having reliable quality and reasonable price purely developed and manufactured in Korea



DVR/NVR



CAMERA



ACCESSORY



SOFTWARE

EX Proof Flame Detection IP Camera

NK2100EX-F2



Flame Detector			
Detection Method	Flame IR sensor (2)		
Detection Distance & Angle	30M / 100° (Size 1.5M / Sensitivity 10)		
Sensitivity	1~10		
Detection Time	1, 3, 5, 10 sec		
Action Time	5 ~ 60 sec		
Video			
Compression Type	H.265(HEVC) main@L5.1 H.264(AVC) baseline/main/high@L5.2, MJPEG		
Resolution	Stream 1 : 1920×1080 Stream 2 : 1280×720 ~ 640×360 Stream 3 : 640×360 ~ 320×184 Stream 4 : 1280×720		
Bitrate	100Kbps ~ 10Mbps		
Bitrate Control	CBR		
Frame rate	Max. 30fps@1080p		
GoP	Max. 120		
Streaming	1st : 1920×1080@30fps 2nd : 1280×720 ~ 640×360@30fps 3rd : 640×360 ~ 320×184@30fps 4th : 1280×720 (MJPEG)@5fps		
Camera			
Sensor Type	1/2.8" 2.1Megapixel Starvis CMOS Sensor		
Total Pixels	1920(H) × 1080(V) = 2.1M pixels		
Scanning System	Progressive Scan		
Min. Illumination	COLOR	0.02Lux@50IRE, F1.3	
	B&W	0.0005Lux@50IRE, F1.3, 0Lux(IR LED On)	
Lens	Day & Night	True Day & Night	
	Type	f=3.6mm Fixed Mega Pixel Lens	
	Angle	H: 87° / V: 47° / D: 104°	
Camera function	Day/Night	Auto / Color / B&W / Extern / Low Light Color IR LED Brightness control	
	Auto Focus	Not Support	
	Image enhancement	WDR(120dB), BLC, HLC	
	AGC	Support	
	SNR	More than 52dB	
	ACE	Support	
	DNR	Support	
	DSS	OFF / AUTO / x2 / x4 / x8 / x16 / x32 / x64	
	SHARPNESS	0~255	
	Mirror	Horizontal, Vertical	
	White Balance	Auto / AutoExt / Preset / Manual	
	Shutter	INDOOR, OUTDOOR, INDOOR-ANTI BLUR, OUTDOOR-ANTI BLUR, MANUAL(1/30~1/30000, 11steps)	
	Privacy Mask	Support (Max. 8)	
	Event	Flame detection, Motion detection, Tampering detection, Smart MD(*Option)	
	DE-FOG	Support	
	AI	Intrusion detection, Line crossing, Loitering / Fall down(*Option) / Smoke(*Option)	
	IR Distance	15m	
	OSD	Size	16 ~ 250 pixel
		Color	black, blue, green, red, yellow, white
		Position	Adjustable

Interfaces		
Alarm	Input	Not Support
	Output	Not Support
Video Output	Output	Not Support
	Resolution	Not Support
Audio	Output	Not Support
	Compression	Not Support
System		
User	Access rights per account, initialize password, Account Add/Delete/Modify	
Management	System log, Time setting	
Upgrade	Iptool upgrade, Webpage upgrade, Emergency upgrade	
Maintenance	Initialize Settings, Restart, Initialize partial settings, scheduled reboot (*)	
Webpage Language	Korean, English	
Network & Software		
Network & Software	Network Interface	RJ-45 (10/100BASE-T)
	Network type	Fixed IP, DHCP
	DDNS	WNS(*), WRS(*)
	Port	HTTP : 80 / Onvif : 80 / RTSP : 554
	Protocols	HTTP, RTSP/RTP, TCP/IP, UDP, ARP, ICMP, DHCP, NTP, UPnP(*)
	IP Camera Protocols	Onvif Profile S, WESP
	Simultaneous live view	Up to 2 streams with NVR(Onvif/WESP) Up to 6 streams with WEB Up to 4 streams with RTSP
	DST	Support
	Web browser	Chrome, Edge, Safari, Firefox
	Web settings	Desktop (Mac, Linux and Windows) and multi-platform web setup
	PC CMS Software	Control Center, Control Center Pro
	Mobile software	Support (Android, iOS)
	Relay server	WinRDS
	Security	TLS
User Access Log		Support
IP address filtering		Support
Session Lockdown		Support(*)
General		
Power	PoE(802.3af, 36V~57V)	
Dimension	124(W) × 124(H) × 83(D) mm	
Power Consumption	IR OFF : 3W - Standard / IR ON : 6W - Max	
Operation Temp	-20°C ~ 70°C (-4°F ~ +158°F)	
Operation humidity	0% RH ~ 80% RH	
Form	Indoor type, outdoor type, explosion proof type, waterproof type	
Explosion proof grade	Pressure-proof type (Ex d IIC T6 IP67 level) Dust explosion-proof type (Ex tD A21 T85°C IP67 level)	
Material	Aluminum 6061	
Cable Entry	PF1/2"(16C) 14G(1.814P)	
Certifications	KC, FCC, CE	
Weight	2,400g	

QA2.13

(*) Marks: Scheduled to be supported)

* Specifications are subject to change without notice for product improvement.